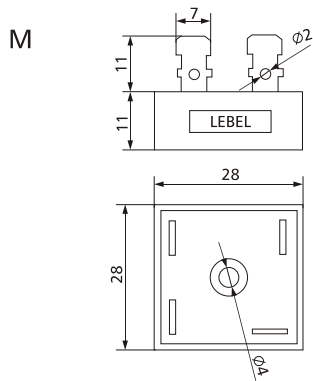
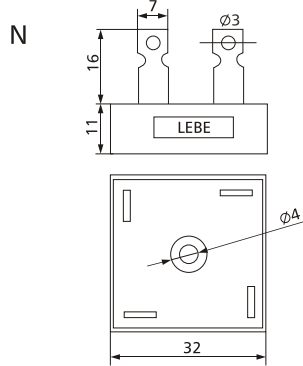


# Standard Recovery Power Modules

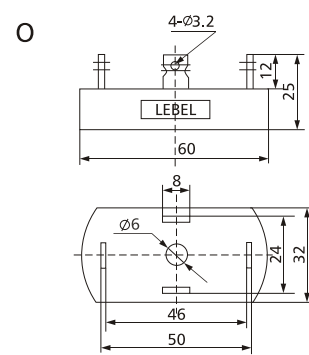
Bridge rectifier KBPC 5-35A



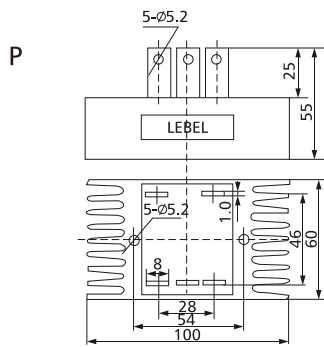
Bridge rectifier QL1 5-40A



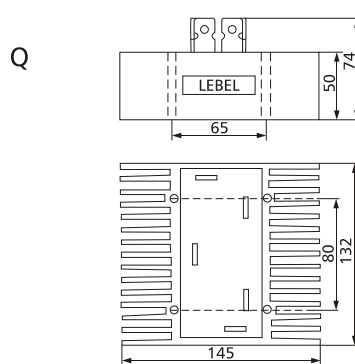
Bridge rectifier QL 5-40A



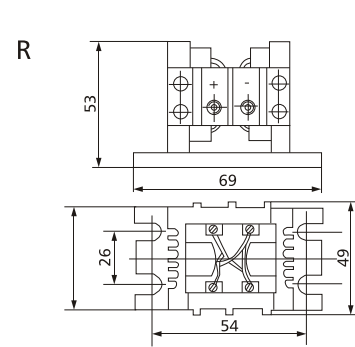
Bridge rectifier MD\*20-100A



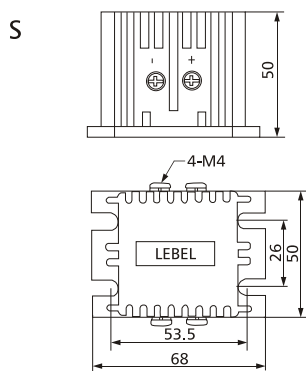
Bridge rectifier MD80\*-280A



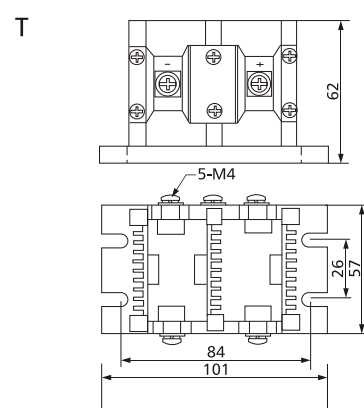
Bridge rectifier 4ZQ10-40A



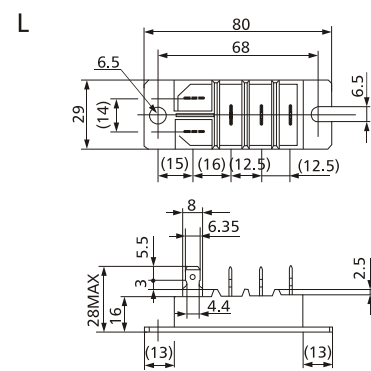
Bridge rectifier ZPQ10-40A



Bridge rectifier 6ZQ10-40A



MDS 150-200A bridge module



D, T Series recovery diode



D, T Series recovery diode



D, T Series recovery diode